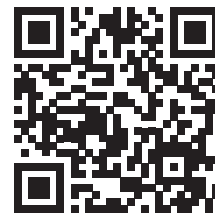


Get easy setup videos and more.

Scan with your phone camera or QR reader.

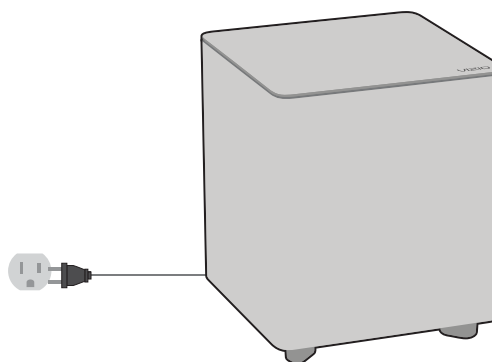


vizio.com/qr/V21x-J8

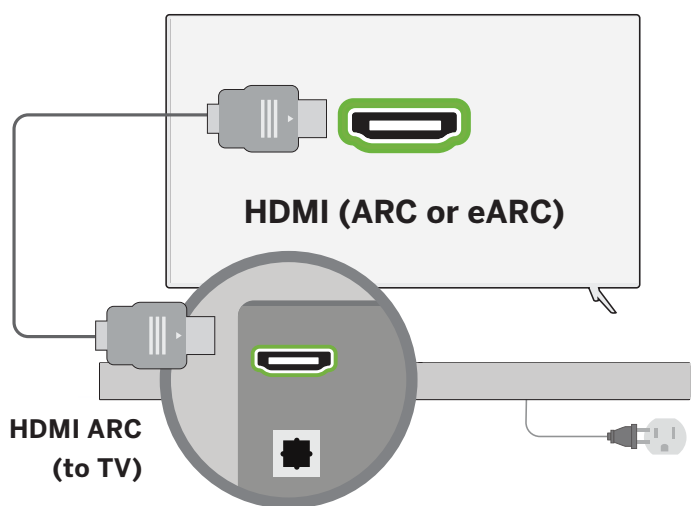


Connect.

- 1 Plug in power cables to power on your sound bar and subwoofer.



Place subwoofer in the rear of the room.



- 2 Then use the included HDMI cable to connect to your TV.



Why HDMI? Highest Quality Connection.

Connect to the HDMI ARC/eARC port on your TV for the best possible sound quality.

Unlock the best picture and audio quality with a VIZIO SmartCast® TV.

Scan here to shop our V-series™ TVs:



More questions?

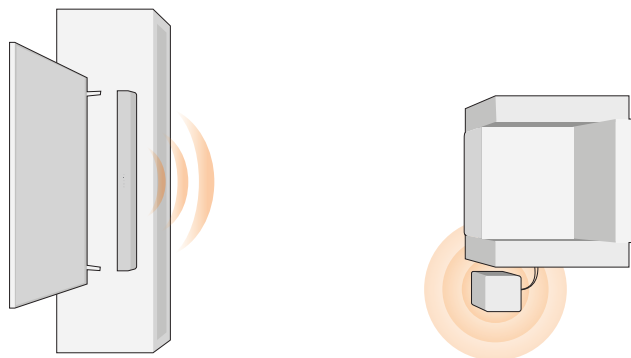
Get customer support help and view the User Manual here:

support.vizio.com

Best speaker placement for my sound bar?

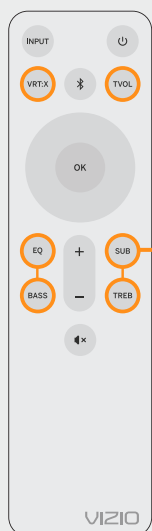
For the best sound experience, position the sound bar and subwoofer as shown. The sound bar should be close to ear level.

If the subwoofer is too boomy or lacking impact, adjust the **Subwoofer level** with your remote control or try various placements.



How do I adjust sound settings and levels?

Using the included remote, you can easily adjust many different sound settings and levels to optimize your listening experience, including EQ modes, bass level, subwoofer level, and more.

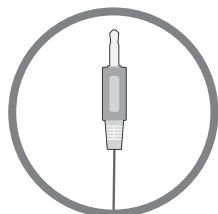


1. Push a **setting** button to adjust, **and/or**
 2. Use the **Left/Right** buttons to change each setting.
- (See the **User Manual** for more mode and level settings.)

Can I connect to a Voice Assistant (VA) device?

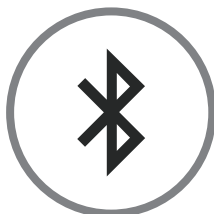
Connect your voice assistant devices (sold separately) to the sound bar for an amplified audio experience that's always ready to respond. Please see the User Manual for more information.

Connect to the AUX VA port



OR

Bluetooth Connection



The sound bar will **automatically lower the volume** while watching a movie or listening to music, when a VA device is connected.