

VIZIO | Quick Setup Guide

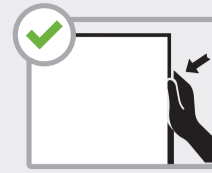
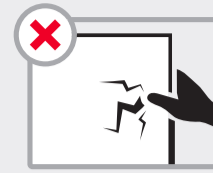
Scan to download the VIZIO Mobile App and speed up the Setup Process.

vizio.tv/MobileApp



Important!

Use bag to lift TV.
Do not touch screen.



Please read the full User Manual at support.vizio.com/s/user-manual-search before operating your VIZIO product and keep it for future reference. Purchase subject to full VIZIO Terms and Conditions, including **Binding Arbitration Agreement**, which may be viewed at vizio.com/en/terms/terms-of-service. **By using this device, you accept those Terms and Conditions.**

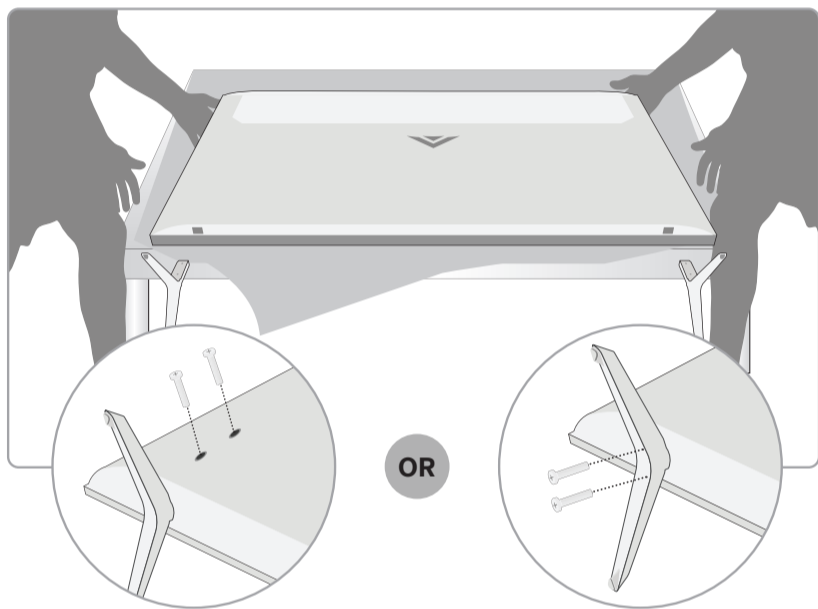
What's Inside the Box • Smart TV | Power Cable | Voice Remote with Batteries | TV Feet with Screws (4)

What You Need • Phillips Head Screwdriver | Broadband Internet Connection | WiFi Password

1 Stand Setup

Lift the TV out of the box using the handles on the plastic bag* covering the TV. Support the TV evenly on both sides while laying it on a padded, flat surface that is larger than the TV.

Install the stand feet* or a wall mount** (not included) according to the image below. When the stand legs are properly connected, the legs will not shift or move.

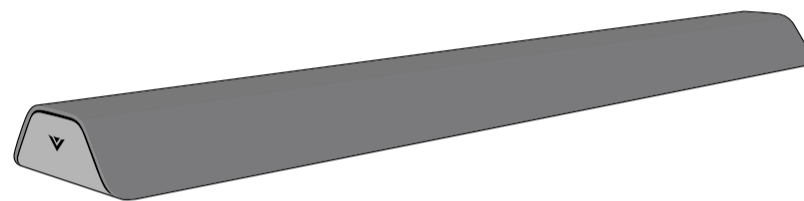


*Stand and bag type may vary depending on model.
**See the full User Manual for wall mount specifications.

3 Connect

Plug the TV power cord into a wall outlet.

If you have a sound bar, connect it to your TV's HDMI ARC/eARC port (HDMI 1) now.



HDMI ARC/eARC



HDMI 1 (eARC)

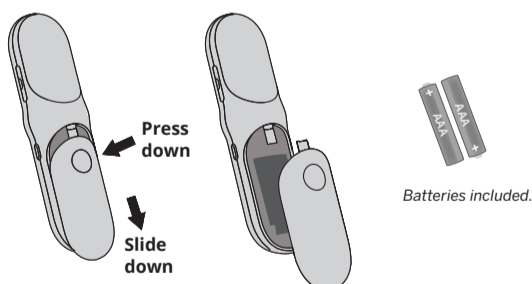
Integrated Sound Bar Control:

When connected to select VIZIO sound bars using the dedicated HDMI ARC/eARC port, audio settings can be adjusted easily via an on-screen menu.

Scan the QR code at the bottom for more information.

2 Remote Control

Once you are ready to start the on-screen setup, insert two AAA batteries into your remote control.



Batteries included.

Accessibility Features

Press the **MUTE** button to enable or disable **Text To Speech** during the first-time setup.

Email: accessibility@vizio.com

Call: 1-877-698-4746 for additional support

4 On-screen Setup

Follow the easy on-screen instructions to complete the setup of your TV.

See the User Manual for a full walk-through.



This unit is equipped with Automated Content Recognition ("ACR") Technology which (when enabled) is able to use video data to recognize what is playing on the TV and send information back to VIZIO about what is showing ("Viewing Data"). Declining Viewing Data collection will not change the functionality of your device. To learn more, please see VIZIO's Privacy Policy at www.vizio.com/privacy.

¹ Source: The NPD Group, Inc., U.S. Weekly Retail Tracking Service, Based on Units, Dec. 24, 2017 – Feb. 15, 2020 Combined.

Complete your home theater experience with a sound bar from VIZIO, America's #1 Sound Bar Brand¹.

Scan here to shop our M-Series™ Sound Bars.



Questions?

Get customer support help and view the User Manual here:

support.vizio.com